

GB

English

Operating Instructions

OVEN

Contents

Operating Instructions, 1
Warnings, 2
Assistance, 3
Description of the appliance, 4
Description of the appliance, 5
Installation, 6
Start-up and use, 8
Modes, 8
Precautions and tips, 11
Maintenance and care, 11

RU

Русский

Руководство по эксплуатации

ДУХОВОЙ ШКАФ

Содержание

Руководство по эксплуатации, 1
Предупреждения, 2
Сервисное обслуживание, 3
Описание изделия, 4
Описание изделия, 5
Установка, 13
Включение и эксплуатация, 15
Программы, 15
Предосторожности и рекомендации, 18
Техническое обслуживание и уход, 18

GB

Warnings

WARNING: The appliance and its accessible parts become hot during use. Care should be taken to avoid touching heating elements. Children less than 8 years of age shall be kept away unless continuously supervised. This appliance can be used by children aged from 8 years and above and persons with reduced physical, sensory or mental capabilities or lack of experience and knowledge if they have been given supervision or instruction concerning use of the appliance in a safe way and understand the hazards involved. Children shall not play with the appliance. Cleaning and user maintenance shall not be made by children without supervision.

Do not use harsh abrasive cleaners or sharp metal scrapers to clean the oven door glass since they can scratch the surface, which may result in shattering of the glass.

Never use steam cleaners or pressure cleaners on the appliance.

WARNING: Ensure that the appliance is switched off before replacing the lamp to avoid the possibility of electric shock.

! When you place the rack inside, make sure that the stop is directed upwards and in the back of the cavity.

RU

Предупреждения

ВНИМАНИЕ: Данное изделие и его доступные комплектующие сильно нагреваются в процессе эксплуатации.

Будьте осторожны и не касайтесь нагревательных элементов.

Не разрешайте детям младше 8 лет приближаться к изделию без контроля.

Данное изделие может быть использовано детьми старше 8 лет и лицами с ограниченными физическими, сенсорными или умственными способностями или без опыта и знания о правилах использования изделия при условии надлежащего контроля или обучения безопасному использованию изделия с учетом соответствующих рисков. Не разрешайте детям играть с изделием. Не разрешайте детям осуществлять чистку и уход за изделием без контроля взрослых.

Не используйте абразивные вещества или режущие металлические скребки для чистки стеклянной дверцы духового шкафа, так как они могут поцарапать поверхность, что может привести к разбиванию стекла.

Никогда не используйте паровые чистящие агрегаты или агрегаты под высоким давлением для чистки изделия.

ВНИМАНИЕ: Проверьте, чтобы изделие было выключено, перед заменой лампочки во избежание возможных ударов током.

! При установке решетки проверить, чтобы фиксатор был повернут вверх с задней стороны выемки.

GB

Assistance

! Never use the services of an unauthorised technician.

Please have the following information to hand:

- The type of problem encountered.
- The appliance model (Mod.).
- The serial number (S/N).

The latter two pieces of information can be found on the data plate located on the appliance.

RU

Сервисное обслуживание

! Никогда не обращайтесь к неуполномоченным техникам.

При обращении в Центр Технического Обслуживания необходимо сообщить:

- Тип неисправности;
- Модель изделия (Мод.)
- Номер тех. паспорта (серийный №)

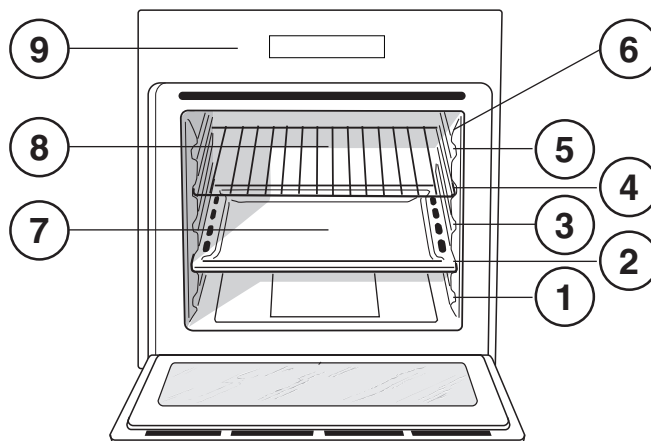
Эти данные вы найдете на паспортной табличке, расположенной на изделии.

GB

Description of the appliance

Overall view

1. POSITION 1
2. POSITION 2
3. POSITION 3
4. POSITION 4
5. POSITION 5
6. GUIDES for the sliding racks
7. DRIPPING PAN
8. GRILL
9. Control panel



RU

Описание изделия

Общий вид

1. ПОЛОЖЕНИЕ 1
2. ПОЛОЖЕНИЕ 2
3. ПОЛОЖЕНИЕ 3
4. ПОЛОЖЕНИЕ 4
5. ПОЛОЖЕНИЕ 5
6. ВЫДВИЖНЫЕ НАПРАВЛЯЮЩИЕ уровней
7. ПРОТИВЕНЬ
8. РЕШЕТКА
9. Панель управления

GB

Description of the appliance

Control panel

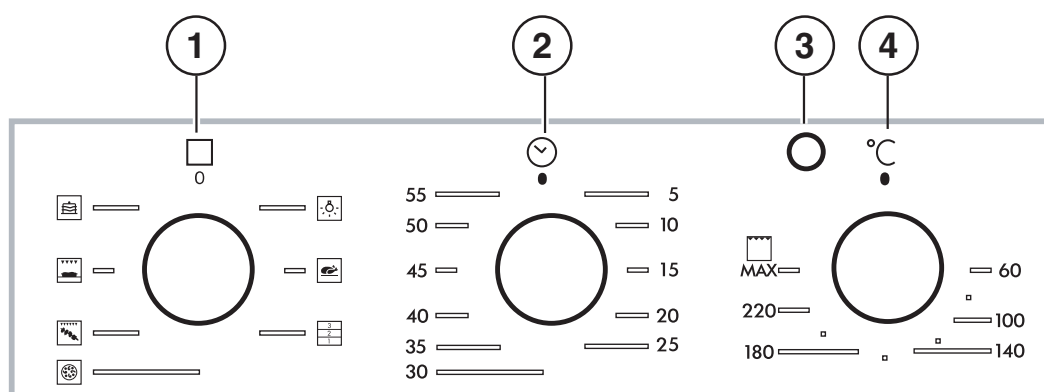
1. **SELECTOR** Knob
2. **TIMER** Knob
3. Indicator light **THERMOSTAT**
4. **THERMOSTAT** Knob

RU

Описание изделия

Панель управления

1. Рукоятка ПРОГРАММЫ
2. Рукоятка ТАЙМЕРА
3. Индикатор ТЕРМОСТАТА
4. Регулятор ТЕРМОСТАТА



Installation

! Please keep this instruction booklet in a safe place for future reference. If the appliance is sold, given away or moved, please make sure the booklet is also passed on to the new owners so that they may benefit from the advice contained within it.

! Please read this instruction manual carefully: it contains important information concerning the safe operation, installation and maintenance of the appliance.

Positioning

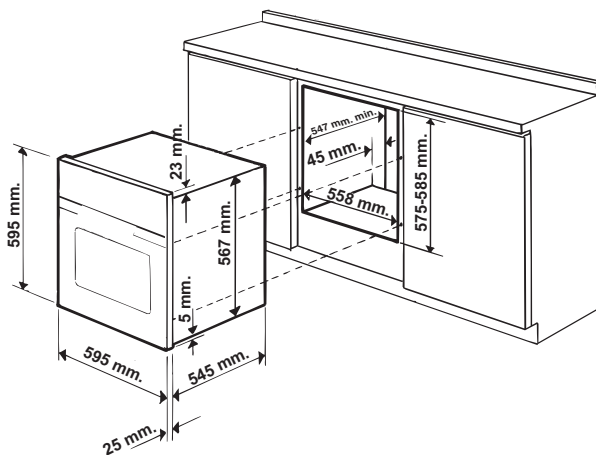
! Do not let children play with the packaging material; it should be disposed of in accordance with local separated waste collection standards (see Precautions and tips).

! The appliance must be installed by a qualified professional in accordance with the instructions provided. Incorrect installation may damage property or cause harm to people or animals.

Built-in appliances

Use an appropriate cabinet to ensure that the appliance operates properly:

- The panels adjacent to the oven must be made of heat-resistant material.
- Cabinets with a veneer exterior must be assembled with glues which can withstand temperatures of up to 100°C.
- To install the oven **under the counter** (see diagram) or in a **kitchen unit**, the cabinet must have the following dimensions:

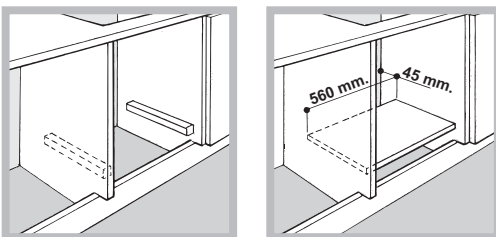


! The appliance must not come into contact with electrical parts once it has been installed.

The indications for consumption given on the data plate have been calculated for this type of installation.

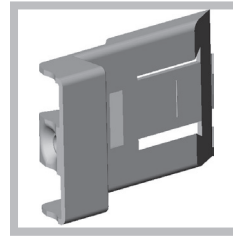
Ventilation

To ensure adequate ventilation, the back panel of the cabinet must be removed. It is advisable to install the oven so that it rests on two strips of wood, or on a completely flat surface with an opening of at least 45 x 560 mm (see diagrams).

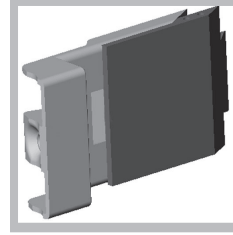


Centring and fixing

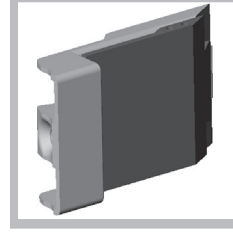
Position the 4 tabs on the side of the oven so that they are lined up with the 4 holes on the outer frame. Adjust the tabs according to the thickness of the cabinet side panel, as shown below:



20 mm thick: take off the removable part of the tab (see diagram).;



18 mm thick: use the first groove, which has already been set in the factory (see diagram).



16 mm thick: use the second groove (see diagram).

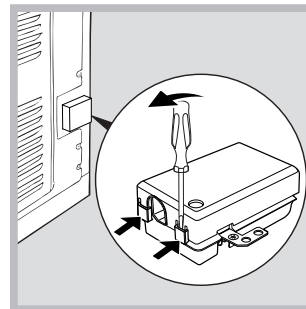
Secure the appliance to the cabinet by opening the oven door and putting 4 screws into the 4 holes on the outer frame.

! All parts which ensure the safe operation of the appliance must not be removable without the aid of a tool.

Electrical connection

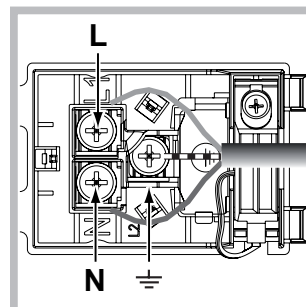
Ovens equipped with a three-pole power supply cable are designed to operate with alternating current at the voltage and frequency indicated on the data plate located on the appliance (see below).

Fitting the power supply cable



1. Open the terminal board by inserting a screwdriver into the side tabs of the cover. Use the screwdriver as a lever by pushing it down to open the cover (see diagram).

2. Install the power supply cable by loosening the cable clamp screw and the three wire contact screws L-N-⏏.



Connect the wires to the corresponding terminals: the Blue wire to the terminal marked (N), the Brown wire to the terminal marked (L) and the Yellow/Green wire to the terminal marked ⏏ (see diagram).

3. Secure the cable by fastening the clamp screw.

4. Close the cover of the terminal board.

Connecting the supply cable to the mains

Install a standardised plug corresponding to the load indicated on the data plate (see side).

The appliance must be directly connected to the mains using an omnipolar circuit-breaker with a minimum contact opening of 3 mm installed between the appliance and the mains, suitable for the load indicated and complying with current electrical regulations (the earthing wire must not be interrupted by the circuit-breaker). The supply cable must not come into contact with surfaces with temperatures higher than 50°C.

! The installer must ensure that the correct electrical connection has been made and that it is compliant with safety regulations.

Before connecting to the power supply, make sure that:



- The appliance is earthed and the plug is compliant with the law.
- The socket can withstand the maximum power of the appliance, which is indicated on the data plate (see below).
- The voltage must be in the range between the values indicated on the data plate (see below).
- The socket is compatible with the plug of the appliance. If the socket is incompatible with the plug, ask an authorised technician to replace it. Do not use extension cords or multiple sockets.

! Once the appliance has been installed, the power supply cable and the electrical socket must be easily accessible.

! The cable must not be bent or compressed.

! The cable must be checked regularly and replaced by authorised technicians only (see Assistance).

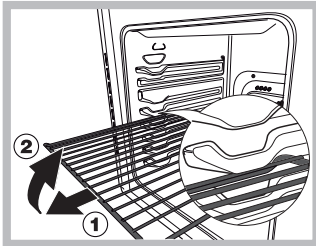
! The manufacturer declines any liability should these safety measures not be observed.

APPLIANCE SPECIFICATIONS	
Dimensions*	width 43.5 cm height 32,4 cm depth 41.5 cm
Volume*	59 l
Dimensions**	width 45.5 cm height 32,4 cm depth 41.5 cm
Volume**	62 l
Electrical connections	voltage: 220-240V~ 50/60Hz or 50Hz (see data plate) maximum power absorbed 2800 W
ENERGY LABEL	Directive 2002/40/EC on the label of electric ovens. Standard EN 50304 Energy consumption for Natural convection – heating mode: <input type="checkbox"/> / <input checked="" type="checkbox"/> Traditional mode Declared energy consumption for Forced convection Class – heating mode: Baking <input checked="" type="checkbox"/> / <input checked="" type="checkbox"/>
 	This appliance conforms to the following European Economic Community directives: 2006/95/EEC dated 12/12/06 (Low Voltage) and subsequent amendments – 2004/108/EEC dated 03/05/89 (Electromagnetic Compatibility) and subsequent amendments - 93/68/EEC dated 22/07/93 and subsequent amendments. 2012/19/EC and subsequent amendments. - 1275/2008 standby/off mode

* Only for models with drawn rails.

** Only for models with wire rails.

Start-up and use



WARNING! The oven is provided with a stop system to extract the racks and prevent them from coming out of the oven (1). As shown in the drawing, to extract them completely, simply lift the racks, holding them on the front part, and pull (2).

! The first time you use your appliance, heat the empty oven with its door closed at its maximum temperature for at least half an hour. Make sure that the room is well ventilated before switching the oven off and opening the oven door. The appliance may emit a slightly unpleasant odour caused by protective substances used during the manufacturing process burning away.

Starting the oven

1. Select the desired cooking mode by turning the SELECTOR knob.
2. Select the desired temperature with the THERMOSTAT knob. See the Cooking advice table for cooking modes and the suggested cooking temperatures (see *Cooking Modes*).
3. When lit, the THERMOSTAT indicator light indicates that the oven is heating up to the temperature set.
4. You may do the following during cooking:
 - change the cooking mode by turning the SELECTOR knob.
 - change the temperature by turning the THERMOSTAT knob.
 - stop cooking by turning the SELECTOR knob to the "0" position.

! Never put objects directly on the oven bottom to avoid damaging the enamel coating.

! Always place cookware on the rack(s) provided.

Cooling ventilation

In order to cool down the external temperature of the oven, some models are fitted with a cooling fan that blows out air between the control panel and the oven door.

! Once the cooking has been completed, the cooling fan remains on until the oven has cooled down sufficiently.

Oven light



It goes on when selecting with the SELECTOR knob. It stays on when a cooking mode is selected.

How to use the timer

1. To set the buzzer, turn the TIMER knob clockwise almost one complete revolution.
2. Turn the knob anticlockwise to set the desired time: align the minutes shown on the knob with the indicator on the control panel.
3. The timer operates in minutes: when the selected time has elapsed, a buzzer will sound.

! The timer does not switch the oven on or off.

Modes

! A temperature value can be set for all cooking modes between 60°C and Max, except for

- GRILL (recommended: set only to MAX power level);
- GRATIN (recommended: do not exceed 200°C).



TRADITIONAL OVEN mode

Both the top and bottom heating elements will come on. With this traditional cooking mode, it is best to use one cooking rack only; if more than one rack is used, the heat will be distributed unevenly.



MULTI-COOKING mode

All the heating elements (top and bottom), as well as the fan, will come on. Since the heat remains constant throughout the oven, the air cooks and browns food uniformly. A maximum of two racks may be used at the same time.



PIZZA OVEN mode

The circular heating elements and the elements at the bottom of the oven are switched on and the fan is activated. This combination heats the oven rapidly by producing a considerable amount of heat, particularly from the element at the bottom. If you use more than one rack at a time, switch the position of the dishes halfway through the cooking process.



GRILL mode

The top heating element comes on. The extremely high and direct temperature of the grill makes it possible to brown the surface of meats and roasts while locking in the juices to keep them tender. The grill is also highly recommended for dishes that require a high temperature on the surface: such as beef steaks, veal, rib steak, filets, hamburgers etc... Some grilling examples are included in the "Practical Cooking Advice" paragraph. Always cook in this mode with the oven door closed.



GRATIN mode

The top heating element, as well as the fan, will come on. This combination of features increases the effectiveness of the unidirectional thermal radiation of the heating elements through forced circulation of the air throughout the oven. This helps prevent food from burning on the surface, allowing the heat to penetrate right into the food. Always cook in this mode with the oven door closed.



BAKING mode

The rear heating element and the fan are switched on, thus guaranteeing the distribution of heat in a delicate and uniform manner throughout the entire oven. This mode is ideal for baking temperature sensitive foods (such as cakes, which need to rise) and for the preparation of "bitesize pastries" on 3 shelves simultaneously.

Practical cooking advice

! Do not place racks in position 1 and 5 during fan-assisted cooking. Excessive direct heat can burn temperature sensitive foods.

! In the GRILL and GRATIN cooking modes, place the dripping pan in position 1 to collect cooking residues (fat and/or grease).

MULTILEVEL

- Use position 2 and 4, placing the food that requires more heat on 2.
- Place the dripping pan on the bottom and the rack on top.

GRILL

- Insert the rack in position 3 or 4. Place the food in the centre of the rack.
- We recommend that you set the maximum power level. The top heating element is regulated by a thermostat and may not always be on.

PIZZA

- Use a light aluminium pizza pan. Place it on the rack provided.
For a crispy crust, do not use the dripping pan (prevents crust from forming by extending cooking time).
- If the pizza has a lot of toppings, we recommend adding the mozzarella cheese on top of the pizza halfway through the cooking process.

Cooking advice table

Modes	Foods	Weight (in kg)	Rack position	Preheating time (minutes)	Recommended temperature	Cooking duration (minutes)
Traditional	Duck	1	3	15	200	65-75
	Roast veal or beef	1	3	15	200	70-75
	Roast pork	1	3	15	200	70-80
	Biscuits (shortcrust pastry)	-	3	15	180	15-20
	Tarts	1	3	15	180	30-35
Multilevel	Pizza (on 2 racks)	1	2 and 4	15	230	15-20
	Lasagne	1	3	10	180	30-35
	Lamb	1	2	10	180	40-45
	Roast chicken + potatoes	1+1	2 and 4	15	200	60-70
	Mackerel	1	2	10	180	30-35
	Sponge cake made with yoghurt	1	2	10	170	40-50
	Cream puffs (on 2 racks)	0.5	2 and 4	10	190	20-25
	Biscuits (on 2 racks)	0.5	2 and 4	10	180	10-15
	Sponge cake (on 1 rack)	0.5	2	10	170	15-20
	Sponge cake (on 2 racks)	1	2 and 4	10	170	20-25
	Savoury pies	1.5	3	15	200	25-30
Pizza	Pizza	0.5	3	15	220	15-20
	Roast veal or beef	1	2	10	220	25-30
	Chicken	1	2 or 3	10	180	60-70
Grill	Sole and cuttlefish	1	4	5	MAX	8-10
	Squid and prawn kebabs	1	4	5	MAX	6-8
	Cod fillet	1	4	5	MAX	10
	Grilled vegetables	1	3 or 4	5	MAX	10-15
	Veal steak	1	4	5	MAX	15-20
	Cutlets	1	4	5	MAX	15-20
	Hamburgers	1	4	5	MAX	7-10
	Mackerel	1	4	5	MAX	15-20
	Toast	no. 4	4	5	MAX	2-3
Gratin	Grilled chicken	1.5	2	5	200	55-60
	Cuttlefish	1.5	2	5	200	30-35
Baking	Tarts	0.5	3	15	180	20-30
	Fruit cakes	1	2 or 3	15	180	40-45
	Sponge cake made with yoghurt	0.7	3	15	180	40-50
	Sponge cake	0.5	3	15	160	25-30
	Stuffed pancakes (on 2 racks)	1.2	2 and 4	15	200	30-35
	Small cakes (on 2 racks)	0.6	2 and 4	15	190	20-25
	Cheese puffs (on 2 racks)	0.4	2 and 4	15	210	15-20
	Cream puffs (on 3 racks)	0.7	1, 3 and 5	15	180	20-25
	Biscuits (on 3 racks)	0.7	1, 3 and 5	15	180	20-25
	Meringues (on 3 racks)	0.5	1, 3 and 5	15	90	180

! The cooking times listed above are intended as guidelines only and may be modified according to personal tastes.

Precautions and tips

! This appliance has been designed and manufactured in compliance with international safety standards. The following warnings are provided for safety reasons and must be read carefully.

General safety

- The appliance was designed for domestic use inside the home and is not intended for commercial or industrial use.
- The appliance must not be installed outdoors, even in covered areas. It is extremely dangerous to leave the appliance exposed to rain and storms.
- When moving or positioning the appliance, always use the handles provided on the sides of the oven.
- Do not touch the appliance while barefoot or with wet or damp hands and feet.
- **The appliance must be used by adults only for the preparation of food, in accordance with the instructions provided in this booklet. Any other use of the appliance (e.g. for heating the room) constitutes improper use and is dangerous. The manufacturer may not be held responsible for any damage caused as a result of improper, incorrect and unreasonable use of the appliance.**
- **Do not touch the heating elements or certain parts of the oven door when the appliance is in use; these parts become extremely hot. Keep children well away from the appliance.**
- Make sure that the power supply cables of other electrical appliances do not come into contact with the hot parts of the oven.
- The ventilation and heat dispersal openings must never be obstructed.
- Always grip the oven door handle in the centre: the ends may be hot.
- Always use oven gloves when placing cookware in the oven or when removing it.
- Do not use aluminium foil to line the bottom of the oven.
- Do not place flammable materials in the oven: if the appliance is switched on accidentally, the materials could catch fire.
- When unplugging the appliance, always pull the plug from the mains socket; do not pull on the cable.
- Do not perform any cleaning or maintenance work without having disconnected the appliance from the electricity mains.
- If the event of malfunctions, under no circumstances should you attempt to perform the repairs yourself. Contact an authorised Service Centre (see Assistance).
- Do not rest objects on the open oven door.
- Do not let children play with the appliance.
- The appliance should not be operated by people (including children) with reduced physical, sensory or mental capacities, by inexperienced individuals or by anyone who is not familiar with the product. These individuals should, at the very least, be supervised by someone who assumes responsibility for their safety or receive preliminary instructions relating to the operation of the appliance.
- **The appliance is not intended to be operated by means of an external timer or separate remote-control system.**

Disposal

- When disposing of packaging material: observe local legislation so that the packaging may be reused.
- The European Directive 2012/19/EC on Waste Electrical and Electronic Equipment (WEEE), requires that old household electrical appliances must not be disposed of in the normal unsorted municipal waste stream. Old appliances must be collected separately in order to optimise the recovery and recycling of the materials they contain and reduce the impact on human health and the environment. The crossed out “wheeled bin” symbol on the product reminds you of your obligation, that when you dispose of the appliance it must be separately

collected.

Consumers should contact their local authority or retailer for information concerning the correct disposal of their old appliance.

Respecting and conserving the environment

- You can help to reduce the peak load of the electricity supply network companies by using the oven in the hours between late afternoon and the early hours of the morning. The cooking mode programming options, the “delayed cooking” mode (see Cooking modes) and “delayed automatic cleaning” mode (see Care and Maintenance) in particular, enable the user to organise their time efficiently.
- Always keep the oven door closed when using the BARBECUE and GRATIN modes: this will achieve improved results while saving energy (approximately 10%).
- Check the door seals regularly and wipe them clean to ensure they are free of debris so that they adhere properly to the door, thus avoiding the dispersal of heat.

Maintenance and care

Switching the appliance off

Disconnect your appliance from the electricity supply before carrying out any work on it.

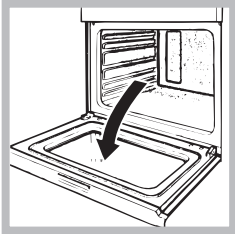
Cleaning the appliance

- Slight differences in colour on the front of the oven are due to the different materials used, i.e. glass, plastic or metal.
- Any shady areas resembling grooves on the oven door glass are caused by reflections from the oven light.
- The enamel is branded at very high temperatures. This process may cause colour variations. This is normal and will not affect appliance operation in any way. The thin edges of the sheet metal cannot be entirely enamelled and may therefore appear to be unfinished. This will not affect the rust protection.
- The stainless steel or enamel-coated external parts and the rubber seals may be cleaned using a sponge that has been soaked in lukewarm water and neutral soap. Use specialised products for the removal of stubborn stains. After cleaning, rinse and dry thoroughly. Do not use abrasive powders or corrosive substances.
- The inside of the oven should ideally be cleaned after each use, while it is still lukewarm. Use hot water and detergent, then rinse well and dry with a soft cloth. Do not use abrasive products.
- All accessories can be washed like everyday crockery, and are even dishwasher safe.
- We recommend that detergents are not sprayed directly onto the control panel, but that a sponge is used instead.

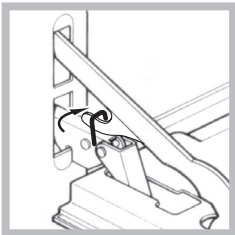
! Never use steam cleaners or pressure cleaners on the appliance.

Cleaning the oven door

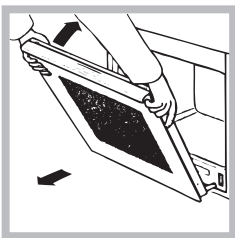
Clean the glass part of the oven door using a sponge and a non-abrasive cleaning product, then dry thoroughly with a soft cloth. Do not use rough abrasive material or sharp metal scrapers as these could scratch the surface and cause the glass to crack



1. Open the oven door fully (see diagram);



2. Lift up and turn the small levers located on the two hinges (see diagram);



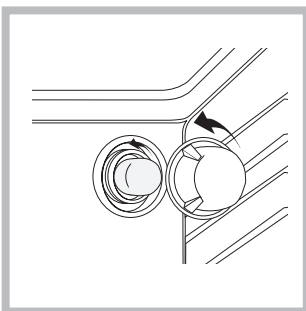
3. Grip the door on the two external sides and close it approximately half way. Pull the door towards you, lifting it out of its slot (see diagram).

To replace the door, reverse this sequence.

Inspecting the seals

Check the door seals around the oven regularly. If the seals are damaged, please contact your nearest Service Centre (see Assistance). We recommend that the oven is not used until the seals have been replaced.

Replacing the light bulb



To replace the oven light bulb:

1. Remove the glass cover of the lamp-holder.
2. Remove the light bulb and replace it with a similar one: Wattage 25 W, cap E 14.
3. Replace the glass cover (see diagram).

! Do not use the oven lamp as/for ambient lighting.

Установка

! Важно сохранить данное руководство для его последующих консультаций. В случае продажи, передачи изделия или при переезде на новое место жительства необходимо проверить, чтобы руководство оставалось вместе с изделием, для того чтобы его новый владелец мог ознакомиться с правилами эксплуатации и с соответствующими предупреждениями.

! Внимательно прочитайте инструкции: в них содержатся важные сведения об установке, эксплуатации и безопасности изделия.

Расположение

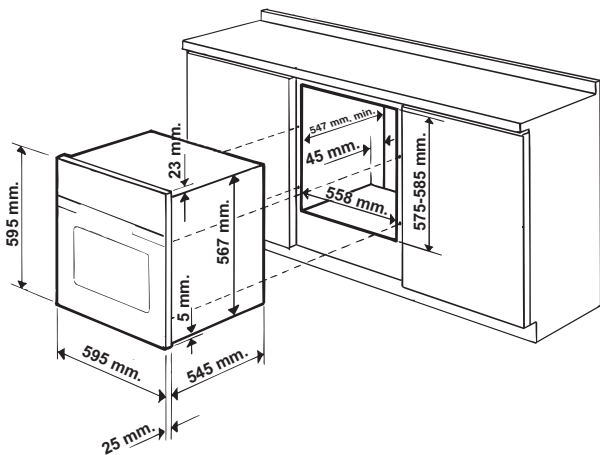
! Не разрешайте детям играть с упаковочными материалами. Упаковочные материалы должны быть уничтожены в соответствии с правилами раздельного сбора мусора (см. Предосторожности и рекомендации).

! Монтаж изделия производится в соответствии с данными инструкциями квалифицированными специалистами. Неправильный монтаж изделия может стать причиной повреждения имущества и причинить ущерб людям и домашним животным.

Встроенный монтаж

Для обеспечения исправного функционирования встраиваемого изделия кухонный элемент должен иметь соответствующие характеристики:

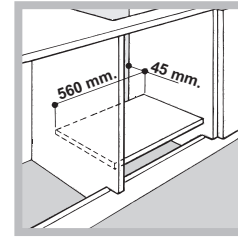
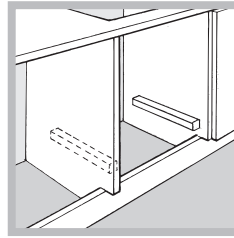
- панели кухонных элементов, прилегающих к духовому шкафу, должны быть выполнены из термостойкого материала;
- клей кухонных элементов элементов, шпонируемых деревом, должен быть устойчивым к температуре 100°C.
- для встраивания духового шкафа **под кухонным топом** (см. схему) **или в пенал** ниша кухонного элемента должна иметь следующие размеры:



! После встраивания изделия в кухонный элемент должна быть исключена возможность касания к электрическим частям. Расход электроэнергии, указанный на паспортной табличке изделия, был замерян для данного типа монтажа.

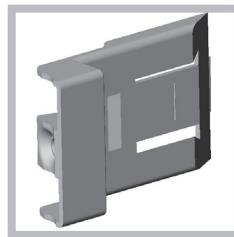
Вентиляция

Для обеспечения надлежащей вентиляции необходимо снять заднюю панель ниши кухонного элемента. Рекомендуется установить духовой шкаф на два деревянных бруска или на сплошное основание с отверстием диаметром не менее 45 x 560 мм (см чертежи).

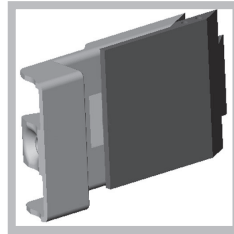


Центровка и крепление

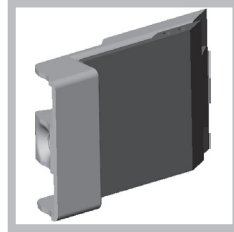
4 крепежных элемента с боков духового шкафа должны быть отрегулированы в соответствии с 4 отверстиями в раме в зависимости от толщины боковой панели кухонного элемента.*



толщина 20 мм: полностью удалите съемную часть крепежного элемента (см. схему);



толщина 18 мм: используйте первый паз, согласно уже готовой конфигурации производителя (см. схему);



толщина 16 мм: используйте второй паз (см. схему).

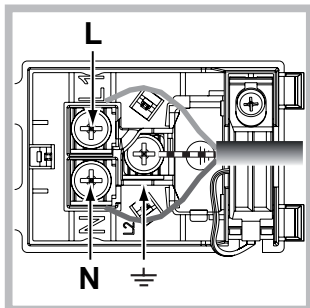
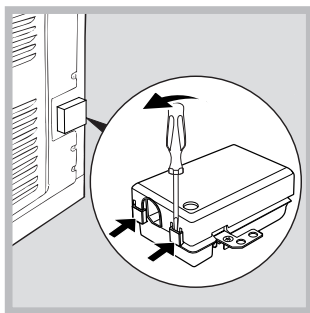
Для крепления изделия к кухонному элементу: откройте дверцу духового шкафа и завинтите 4 шурупа для деревянных панелей в 4 отверстия в периметральной раме.

! Все защитные элементы должны быть закреплены таким образом, чтобы их можно было снять только при помощи специального инструмента.

Электрическое подключение

Духовые шкафы, укомплектованные трехполюсным сетевым кабелем, рассчитаны на функционирование с переменным током с напряжением и частотой электропитания, указанными на паспортной табличке с данными (см. ниже).

Подсоединение сетевого кабеля



1. Откройте зажимную коробку, нажав при помощи отвертки на выступы с боков крышки: потяните и откройте крышку (см. схему).

2. Порядок подсоединения сетевого кабеля: отвинтите винт кабельного сальника и три винта контактов L-N- \perp и затем прикрепите провода под головками винтов, соблюдая цветовую маркировку Синий (N) Коричневый (L) Желто-зеленый \perp (см. схему).

3. Закрепите сетевой кабель в специальном кабельном сальнике.
4. Закройте крышку зажимной коробки.

Подсоединение сетевого шнура изделия к сети электропитания

Установите на сетевой кабель нормализованную штепсельную вилку, рассчитанную на нагрузку, указанную на паспортной табличке (см. сбоку). В случае прямого подключения к сети электропитания между изделием и сетью необходимо установить многополюсный выключатель с минимальным расстоянием между контактами 3 мм, рассчитанный на данную нагрузку и соответствующий действующим нормативам (выключатель не должен размыкать провод заземления). Сетевой кабель должен быть расположен таким образом, чтобы ни в одной точке его температура не превышала температуру помещения более чем на 50°C (например, задняя панель духового шкафа).

! Электромонтер несет ответственность за правильное подключение изделия к электрической сети и за соблюдение правил безопасности.

Перед подключением изделия к сети электропитания проверьте следующее:

- розетка должна быть соединена с заземлением и соответствовать нормативам;
- сетевая розетка должна быть рассчитана на максимальную потребляемую мощность изделия, указанную в таблице технических характеристик;
- напряжение и частота тока сети должны соответствовать электрическим данным изделия;
- сетевая розетка должна быть совместима со штепсельной вилкой изделия. В противном случае замените розетку или вилку; не используйте удлинители или тройники.

! Изделие должно быть установлено таким образом, чтобы электрический провод и сетевая розетка были легко доступны.

! Электрический провод изделия не должен быть согнут или сжат.

! Регулярно проверяйте состояние кабеля электропитания и в случае необходимости поручите его замену только уполномоченным техникам (см. Техническое обслуживание).

! Производитель не несет ответственности за последствия несоблюдения перечисленных выше требований.



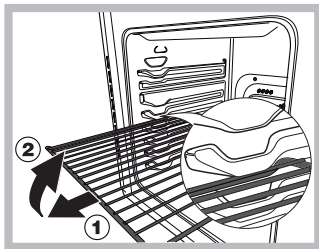
АЮ 77

ПАСПОРТНАЯ ТАБЛИЧКА	
Габаритные размеры*	ширина 43,5 см. высота 32,4 см. глубина 41,5 см.
Объем*	59 л
Габаритные размеры**	ширина 45,5 см. высота 32,4 см. глубина 41,5 см.
Объем**	62 л
Электрическое подключение	напряжение 220-240 В ~ 50/60 Гц или 50 Гц (см. Паспортную табличку), максимальная поглощаемая мощность 2800 Вт
МАРКИРОВКА ПОТРЕБЛЕНИЯ ЭЛЕКТРОЭНЕРГИИ	Директива 2002/40/СЕ об этикетках электрических духовых шкафов. Норматива EN 50304 Расход электроэнергии Натуральная конвекция – режим нагрева: Традиционная; / АЮ 77 Потребление электроэнергии при принудительной конвекции - в фазе нагревания; Кондитерская выпечка. /
CE	Данное изделие соответствует следующим Директивам Европейского сообщества: 2006/95/СЕЕ от 12/12/06 (Низкое напряжение) и последующим изменениям - 2004/108/СЕЕ от 15/12/04 (Электромагнитная совместимость) и последующим изменениям - 93/68/СЕЕ от 22/07/93 и последующим изменениям. 2012/19/СЕ и последующим изменениям. 1275/2008 standby/off mode.

* Только для моделей с направляющими, изготовленными методом вытяжки.

** Только для моделей с направляющими из прутка.

Включение и эксплуатация



ВНИМАНИЕ! Духовой шкаф укомплектован системой блокировки решеток, позволяющей вынимать их из духовки не полностью (1). Для полного вынимания решеток достаточно поднять их, как показано на схеме, взяв их за передний край, и потянуть на

себя (2).

! При первом включении духового шкафа рекомендуем прокалить его примерно в течение 30 минут при максимальной температуре с закрытой дверцей. Затем выключите духовой шкаф, откройте дверцу и проветрите помещение. Запах, который вы можете почувствовать, вызван испарением веществ, использованных для предохранения духового шкафа.

Включение духового шкафа

1. Выберите нужную программу приготовления при помощи рукоятки ПРОГРАММЫ.
2. Выберите температуру при помощи регулятора ТЕРМОСТАТ. В специальной таблице приводится перечень типов приготовления с соответствующими рекомендуемыми температурами (см. Программы).
3. Включенный индикатор ТЕРМОСТАТА означает текущую фазу нагрева духовки до заданной температуры.
4. В процессе приготовления в любой момент можно:
 - изменить программу приготовления при помощи рукоятки ПРОГРАММЫ;
 - изменить температуру при помощи регулятора ТЕРМОСТАТ;
 - прервать приготовление, повернув рукоятку ПРОГРАММЫ в положение «0».

! Никогда не ставьте никаких предметов на дно духового шкафа, так как они могут повредить эмалированное покрытие.

! Всегда ставьте посуду на прилагающуюся решетку.

Охлаждающая вентиляция

Для понижения температуры вокруг работающего духового шкафа некоторые модели оснащаются охлаждающим вентилятором. Этот вентилятор направляет струю воздуха между панелью управления и дверцей духового шкафа.

! По завершении приготовления вентилятор продолжает работать вплоть до надлежащего охлаждения духовки.

Освещение духового шкафа



Загорается при выборе при помощи рукоятки ПРОГРАММЫ. Остается включенной при выборе программы приготовления.

Таймер

1. Прежде всего необходимо завести таймер, повернув рукоятку ТАЙМЕР по часовой стрелке почти на один полный оборот.
2. Поворачивая рукоятку обратно, против часовой стрелки, задается нужное время – минуты на рукоятке ТАЙМЕРА должны совпасть с отметками на панели управления.
3. Таймер отсчитывает время в обратном порядке: по истечении заданного времени раздается звуковой сигнал.

! Таймер не управляет включением или выключением духового шкафа.

Программы

! Для всех программ можно задать температуру от 60°C до МАКС кроме:

- ГРИЛЬ (рекомендуется устанавливать только МАКС. температуру);
- ПОДРУМЯНИВАНИЕ (рекомендуется не превышать температуру 200°C).



Программа ТРАДИЦИОНАЛЬНАЯ ДУХОВКА

Включаются два нагревательных элемента: нижний и верхний. В режиме традиционного приготовления рекомендуется использовать только один уровень: при использовании нескольких уровней распределение температуры будет неоптимальным.



Программа ОДНОВРЕМЕННОЕ ПРИГОТОВЛЕНИЕ

Включаются все нагревательные элементы (верхний, нижний и круглый) и вентилятор. Так как жар является постоянным во всем духовом шкафу, воздух обеспечивает однородное приготовление и подрумянивание продукта. Одновременно можно использовать не более двух уровней духового шкафа.



Программа ПИЦЦА

Включаются нижний и круглый нагревательные элементы и вентилятор. Такое сочетание позволяет быстро разогреть духовку с более сильным выделением жара снизу. Если используются несколько уровней одновременно, необходимо менять местами блюда в середине их приготовления.



Программа ГРИЛЬ

Включается верхний нагревательный элемент. Высокая температура и жар прямого действия гриля рекомендуется для приготовления продуктов, нуждающихся в высокой поверхностной температуре. Готовьте блюда с закрытой дверцей духового шкафа.



Программа GRATIN (Подрумянивание)

Включается верхний нагревательный элемент и вертел. Сочетает однонаправленное выделение жара с принудительной циркуляцией воздуха внутри духового шкафа. Это препятствует обгоранию поверхности продуктов, повышая проникающую способность жара. Готовьте блюда с закрытой дверцей духового шкафа.



Включается задний нагревательный элемент и вентилятор, обеспечивая умеренный и однородный жар внутри духовки. Данная функция рекомендуется для приготовления деликатных блюд (например, кондитерских изделий, требующих подъема теста) и мелкой выпечки одновременно на трех уровнях.

Практические советы по приготовлению

! В режиме вентилируемого приготовления не используйте 1-ый и 5-ый уровни: они подвергаются прямому воздействию горячего воздуха, который может сжечь деликатные продукты.

! При использовании ГРИЛЬ и ПОДРУМЯНИВАНИЕ, особенно с функцией вертела, поместите противень на 1-ый уровень для сбора жидкостей, выделяемого при жарке (сок и/или жир).

ОДНОВРЕМЕННОЕ ПРИГОТОВЛЕНИЕ

- Используются 2-ой и 4-ый уровни, на 2-ой помещаются продукты, требующие более интенсивного жара.
- Установите противень снизу, а решетку сверху.

ГРИЛЬ

- Установите решетку на уровень 3 или 4, поместите продукты в центр решетки.
- Рекомендуется выбрать максимальную мощность духовки. Не беспокойтесь, если верхний элемент не остается постоянно включенным: его работа управляется термостатом.

ПИЦЦА

- Используйте противень из легкого алюминия, устанавливая его на прилегающую решетку.
При использовании противня время выпечки удлинится, что затрудняет получение хрустящей пиццы.
- В случае выпечки пиццы с обильной начинкой рекомендуется положить на пиццу сыр моццарелла в середине выпечки.

Таблица приготовления

Программы	Продукты	Вес (кг)	Уровень	Время нагревания (мин.)	Рекомендуемая температура	Продолжит-ть приготовления (минуты)
Традиционная духовка	Утка	1	3	15	200	65-75
	Жаркое из телятины или говядины	1	3	15	200	70-75
	Жаркое из свинины	1	3	15	200	70-80
	Печенье (песочное)	-	3	15	180	15-20
	Песочный торт с начинкой	1	3	15	180	30-35
Одновременное приготовление	Пицца (на 2-х уровнях)	1	2 и 4	15	230	15-20
	Лазанья	1	3	10	180	30-35
	Баранина	1	2	10	180	40-45
	Жареная курица с картошкой	1+1	2 и 4	15	200	60-70
	Скumbрия	1	2	10	180	30-35
	Кекс	1	2	10	170	40-50
	Эклеры (на 2-х уровнях)	0.5	2 и 4	10	190	20-25
	Печенье (на 2-х уровнях)	0.5	2 и 4	10	180	10-15
	Бисквит (на 1-ом уровне)	0.5	2	10	170	15-20
	Бисквит (на 2-ух уровнях)	1	2 и 4	10	170	20-25
Несладкие торты	1.5	3	15	200	25-30	
ГРИЛЬ	Камбала и каракатицы	1	4	5	МАКС.	8-10
	Кальмары и креветки на шампурах	1	4	5	МАКС.	6-8
	Филе трески	1	4	5	МАКС.	10
	Овощи-гриль	1	3 или 4	5	МАКС.	10-15
	Телячий бифштекс	1	4	5	МАКС.	15-20
	Отбивные	1	4	5	МАКС.	15-20
	Гамбургер	1	4	5	МАКС.	7-10
	Скumbрия	1	4	5	МАКС.	15-20
	Горячие бутерброды	4 шт.	4	5	МАКС.	2-3
Gratin (Подрумянивание)	Курица-гриль	1.5	2	5	200	55-60
	Морские каракатицы	1.5	2	5	200	30-35
Пицца	Пицца	0.5	3	15	220	15-20
	Жаркое из телятины или говядины	1	2	10	220	25-30
	Курица	1	2 или 3	10	180	60-70
Кондитерская выпечка	Песочный торт с начинкой	0.5	3	15	180	20-30
	Фруктовый торт	1	2 или 3	15	180	40-45
	Кекс	0.7	3	15	180	40-50
	Бисквит	0.5	3	15	160	25-30
	Блины с начинкой (на 2-х уровнях)	1.2	2 и 4	15	200	30-35
	Мелкие кексы (на 2-х уровнях)	0.6	2 и 4	15	190	20-25
	Печенья из слоеного теста с сыром (на 2-ух уровнях)	0.4	2 и 4	15	210	15-20
	Эклеры (на 3-х уровнях)	0.7	1 и 3 и 5	15	180	20-25
	Печенье (на 3-х уровнях)	0.7	1 и 3 и 5	15	180	20-25
	Безе (на 3-х уровнях)	0.5	1 и 3 и 5	15	90	180

* Указанная продолжительность приготовления служит только в качестве примера и может быть изменена в соответствии с Вашими личными предпочтениями.

Предосторожности и рекомендации

! Изделие спроектировано и изготовлено в соответствии с международными нормативами по безопасности. Необходимо внимательно прочитать настоящие предупреждения, составленные в целях вашей безопасности.

Общие требования к безопасности

- Данное изделие предназначается для непрофессионального использования в домашних условиях.
- Запрещается устанавливать изделие на улице, даже под навесом, так как воздействие на него дождя и грозы является чрезвычайно опасным.
- Для перемещения изделия всегда беритесь за специальные ручки, расположенные с боков духового шкафа.
- Не прикасайтесь к изделию влажными руками, а также находясь босиком или с мокрыми ногами.
- **Изделие предназначено для приготовления пищевых продуктов, может быть использовано только взрослыми лицами в соответствии с инструкциями, приведенными в данном техническом руководстве. Любое другое его использование (например: отопление помещения) считается ненадлежащим и следовательно опасным. Производитель не несет ответственности за возможный ущерб, вызванный ненадлежащим, неправильным и неразумным использованием изделия.**
- **В процессе эксплуатации изделия нагревательные элементы и некоторые части дверцы духового шкафа сильно нагреваются. Необходимо проявлять осторожность во избежание контактов с этими частями и не разрешать детям приближаться к духовке.**
- Следите, чтобы сетевые шнуры других бытовых электроприборов не прикасались к горячим частям духового шкафа.
- Не закрывайте вентиляционные решетки и отверстия рассеивания тепла.
- Беритесь за ручку дверцы в центре: с боков она может быть горячей.
- Всегда надевайте кухонные варежки, когда ставите или вынимаете блюда из духовки.
- Не покрывайте дно духового шкафа фольгой.
- Не храните в духовом шкафу возгораемые предметы: при случайном включении изделия такие материалы могут загореться.
- Не тяните за кабель электропитания для отсоединения вилки изделия из сетевой розетки, возьмитесь за вилку рукой.
- Перед началом чистки или технического обслуживания изделия всегда отсоединяйте штепсельную вилку из сетевой розетки.
- В случае неисправности категорически запрещается открывать внутренние механизмы изделия с целью их самостоятельного ремонта. Обращайтесь в Центр Сервисного обслуживания (см. Сервисное обслуживание).
- Не ставьте предметы на открытую дверцу духового шкафа.
- Не разрешайте детям играть с бытовым электроприбором.
- Эксплуатация изделия лицами (включая детей) с ограниченными физическими, сенсорными или умственными способностями, неопытными лицами или лицами, незнакомыми с правилами эксплуатации данного изделия, запрещается без контроля со стороны лица, отвечающего за их безопасность, или без обучения правилам пользования изделием.
- **Изделие не рассчитано на включение посредством внешнего синхронизатора или отдельной системы дистанционного управления**

Утилизация

- Уничтожение упаковочных материалов: соблюдайте местные нормативы с целью повторного использования упаковочных материалов.
- Согласно Европейской Директиве 2012/19/CE касательно утилизации электронных и электрических электроприборов электроприборы не должны выбрасываться вместе с обычным городским мусором. Выведенные из строя приборы должны собираться отдельно для оптимизации их утилизации и рекуперации составляющих их материалов, а также для безопасности окружающей среды и здоровья. Символ зачеркнутая мусорная корзина, имеющийся на всех приборах, служит напоминанием об их отдельной утилизации. Старые бытовые электроприборы могут быть переданы в общественный центр утилизации, отвезены в специальные муниципальные зоны или, если это предусмотрено национальными нормативами, возвращены в магазин при покупке нового изделия аналогичного типа. Все ведущие производители бытовых электроприборов содействуют созданию и управлению системами по сбору и утилизации старых электроприборов.

Экономия электроэнергии и охрана окружающей среды

- Если Вы будете пользоваться духовым шкафом вечером и до раннего утра, это поможет сократить нагрузку потребления электроэнергии электростанциями. Эту возможность Вам дадут опции планирования программ, в частности «приготовление с задержкой» (см. Программы) и «автоматическая пиролитическая чистка с задержкой» (см. Техническое обслуживание и уход).
- Рекомендуется всегда готовить в режах ГРИЛЬ и ПОДРУМЯНИВАНИЕ с закрытой дверцей: это необходимо для значительной экономии электроэнергии (примерно 10%), а также для лучших результатов приготовления.
- Содержите уплотнения в исправном и чистом состоянии, проверяйте, чтобы они плотно прилегали к дверце и не пропускали утечек тепла.

Техническое обслуживание и уход

Отключение электропитания

Перед началом какой-либо операции по обслуживанию или чистке отсоедините изделие от сети электропитания.

Чистка изделия

- Причиной незначительных различий в оттенках на фасаде духового шкафа является использование разных материалов: стекла, пластика или металла.
- Возможные разводы на стекле дверцы, похожие на полосы, вызваны отражением света лампочки духовки.
- Эмаль закаливается огнем при очень высоких температурах. В процессе закалки могут возникнуть различия в оттенках. Это является нормальным и ни коим образом не компрометирует работу изделия. Края тонких металлических листов невозможно покрыть эмалью полностью, поэтому края могут остаться не эмалированными. Это не компрометирует защиту от коррозии.
- Наружные эмалированные элементы или детали из нержавеющей стали, а также резиновые уплотнения можно протирать губкой, смоченной в теплой воде или в растворе нейтрального моющего средства. Для удаления особо трудных пятен используйте

специальные чистящие средства, имеющиеся в продаже. После чистки рекомендуется тщательно удалить остатки моющего средства влажной тряпкой и высушить духовку. Не используйте абразивные порошки или коррозионные вещества.

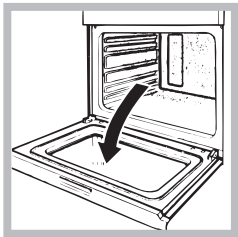
- Следует производить внутреннюю чистку духового шкафа после каждого его использования, не дожидаясь его полного охлаждения. Используйте теплую воду и моющее средство, ополосните и протрите мягкой тряпкой. Избегайте использования абразивных средств.
- Съемные детали можно легко вымыть как любую другую посуду, также в посудомоечной машине за исключением выдвижных направляющих.
- Рекомендуется не разбрызгивать моющие средства непосредственно на регуляторы, а на губку.

! Не используйте паровые чистящие агрегаты или агрегаты под высоким давлением для чистки изделия.

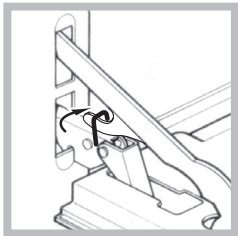
Чистка дверцы

Для чистки стекла дверцы используйте неабразивные губки и чистящие средства, затем вытрите насухо мягкой тряпкой. Не используйте твердые абразивные материалы или острые металлические скребки, которые могут поцарапать поверхность и разбить стекло.

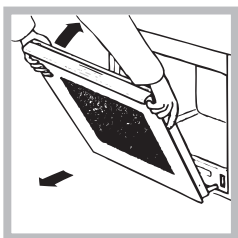
Для более тщательной чистки можно снять дверцу духовки.



1. полностью откройте дверцу духовки (см. схему);



2. поднимите и поверните шпонки на двух шарнирах (см. схему);



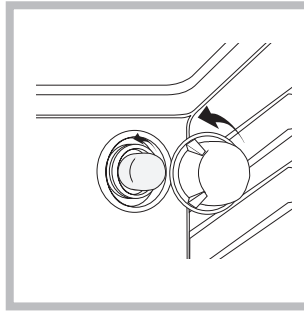
3. возьмитесь за дверцу руками с двух сторон, плавно закройте ее, но не полностью. Затем потяните дверцу на себя, снимая ее со своего гнезда (см. схему).

Для установки дверцы на место выполните вышеописанные операции в обратном порядке.

Проверка уплотнений

Регулярно проверяйте состояние уплотнения вокруг дверцы духового шкафа. В случае повреждения уплотнения обращайтесь в ближайший Центр Сервисного Обслуживания (см. Сервисное обслуживание). Не рекомендуется пользоваться духовкой с поврежденным уплотнением.

Замена лампочки



Замена лампочки в духовом шкафу:

1. Отвинтите стеклянную крышку плафона лампочки;
2. Выкрутите лампочку и замените ее на новую такого же типа: мощность 25 Вт, резьба Е 14.
3. Восстановите крышку на место (см. рисунок).

! Не используйте лампочку духового шкафа для освещения помещения.

